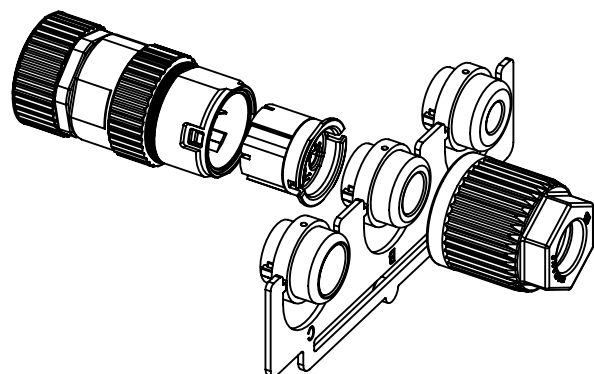
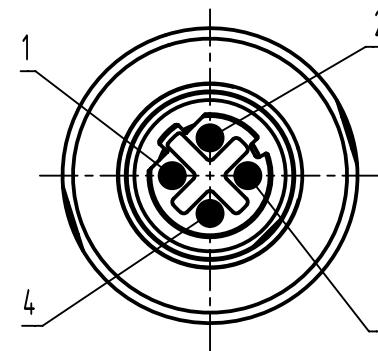


contact face based on
IEC 61076-2-101

A (2:1)



| cable outside diameter | conductor cross section |
|------------------------|--|
| 4,5mm - 8,8mm | AWG26 - AWG22 0,14mm ² - 0,34mm ² |

| | | | | | | |
|------------------------------|--|--|--|-------------------------|--|--------------------|
| | All Dimensions in mm Original Size DIN A4 | | Scale 1:1 | Free size tol. | Ref. | |
| | All rights reserved Department EL PD | | Created by HASSE | Inspected by 104.122 | Standardisation | Date 2021-12-15 |
| HARTING D-32339 Espelkamp | | | Title M12-L-CC-IDC-4P-DCOD-F-STR-SHLD | | Doc-Key / ECM-Nr. 100196014/UGD/004/K 500000207119 | |
| | | | Type TB | Number 21032812405 | Rev. K | Page 1/1 |